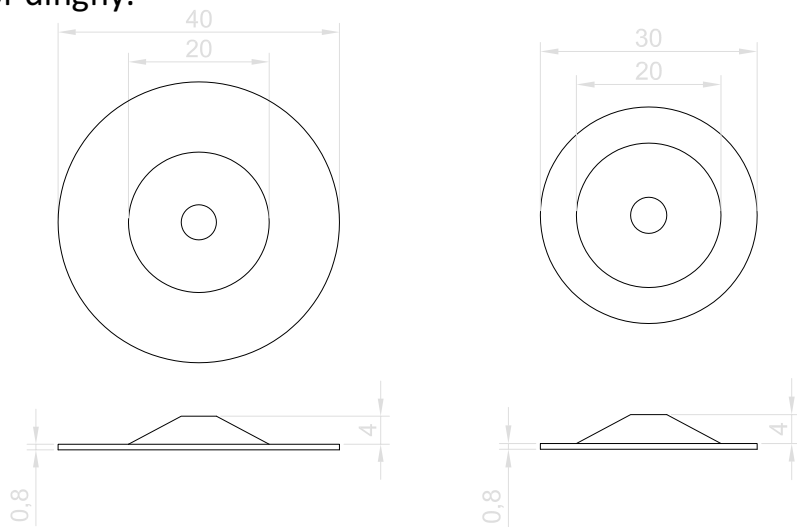




The NOBOLT Loop product is ideal for low load fastening points in both dinghies and yachts and with its un-obtrusive design will fit into the tightest of areas. The basis for the design is to allow you fastening points without the need to drill holes and add heavier fixings to your yacht or dinghy.



NOBOLT Loop L

NOBOLT Loop M

	Button dia mm	Button height mm	Pad height mm	Rope dia MM	Loop mm	Weight g	Max Break Load kg	Recommended Working Load Kg
NOBOLT Loop L	40mm	4mm	0.8mm	3mm	30mm	2g	340	200
NOBOLT Loop M	30mm	4mm	0.8mm	3mm	30mm	1.5g	250	150

**ATTENTION**

- - PRODUCTS MUST ALWAYS BE GLUED TO A CLEAN SURFACE
- - IF YOU WANT AN OPTION TO REMOVE THE PRODUCT AFTERWARDS, USE SIKAFLEX OR OTHER FLEXIBLE GLUE, BY DOING SO, IT WILL REDUCE THE RWL\*
- - FOR A PERMANENT BOND USE A RESIN BASED ADHESIVE SUCH AS SPABOND
- - DO NOT EXCEED RECOMMENDED WORKING LOAD