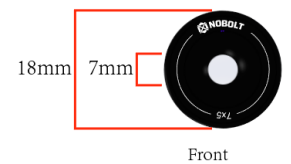
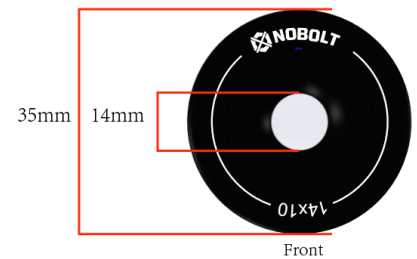
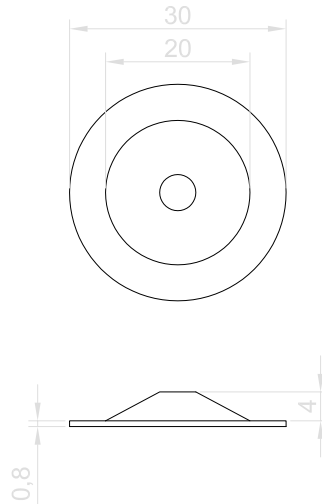
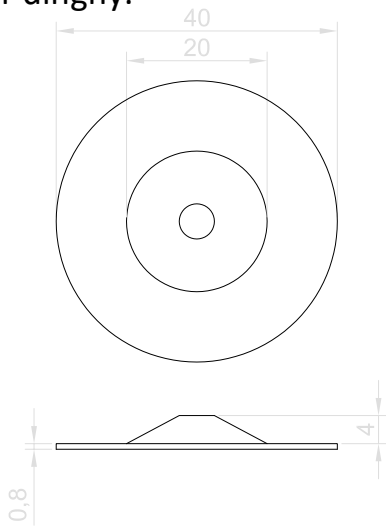




The NOBOLT EYE product is ideal for low load fastening points in both dinghies and yachts and with its un-obtrusive design will fit into the tightest of areas. The basis for the design is to allow you fastening points without the need to drill holes and add heavier fixings to your yacht or dinghy.



NOBOLT EYE L

NOBOLT EYE M

	Button dia mm	Button height mm	Pad height mm	Rope dia mm	Loop mm	Weight g	Max Break Load kg	Recommended Working Lad Kg	Friction ring size
NOBOLT EYE L	40mm	4mm	0.8mm	3mm	30mm	2.5g	300	150	14x10
NOBOLT EYE M	30mm	4mm	0.8mm	3mm	30mm	2g	250	125	7x5

ATTENTION

- - PRODUCTS MUST ALWAYS BE GLUED TO A CLEAN SURFACE
- - IF YOU WANT AN OPTION TO REMOVE THE PRODUCT AFTERWARDS, USE SIKAFLEX OR OTHER FLEXIBLE GLUE ****USING OTHER GLUES WILL DIRECTLY IMPACT THE RECOMMENDED WORKING LOADS TO BE LESS****
- - FOR A PERMANENT BOND USE A RESIN BASED ADHESIVE
- - DO NOT EXCEED RECOMMENDED WORKING LOAD